



466TA Generator Set



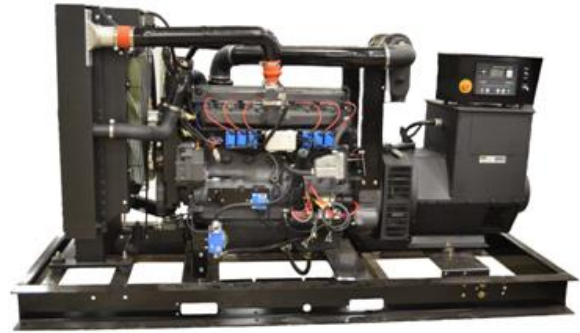
466TA Generator Set 240/480VAC

Natural Gas/Propane

*EPA-Compliant
Stationary and Transportable
Prime and Standby Applications*

Generator Set Ratings

Voltage	240/480VAC
Ph	3
Hz	60
Kw Prime	125 @ PF of 1



Highlighted Features

- SAC** One-source responsibility for the generating system and accessories
- SAC** The generator set and its components are prototype tested, factory-built, and production-tested
- SAC** The generator set meets the EPA compliance level
- SAC** Rugged hinges and latches
- SAC** This generator set is approved to run on

non-utility gas

- SAC** Heavy gauge steel skid with pull bars and fork lift slots. Optional oil field skid available.
- SAC** Optional full enclosure with heavy-gauge steel
- SAC** Water cooled turbo charger for increased durability
- SAC** Specialty cylinder heads to maximize the valve wear and adjustment intervals

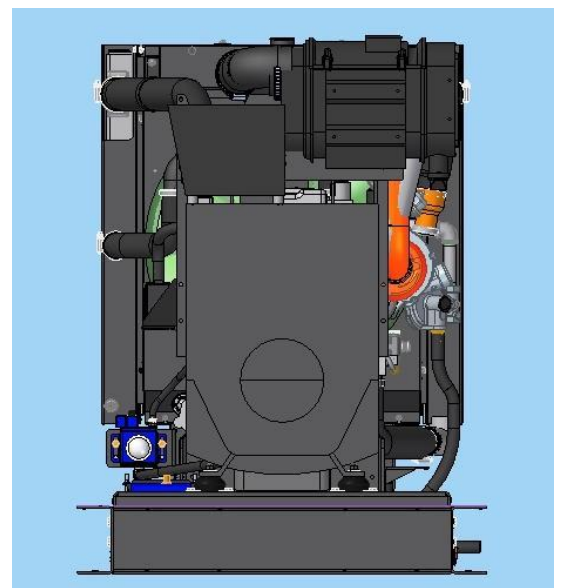
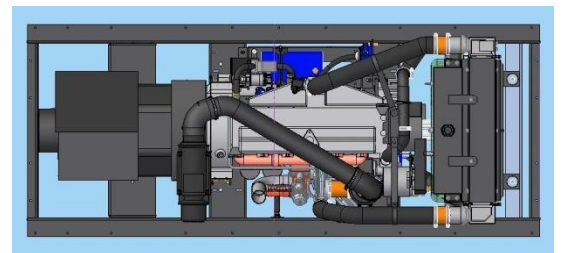
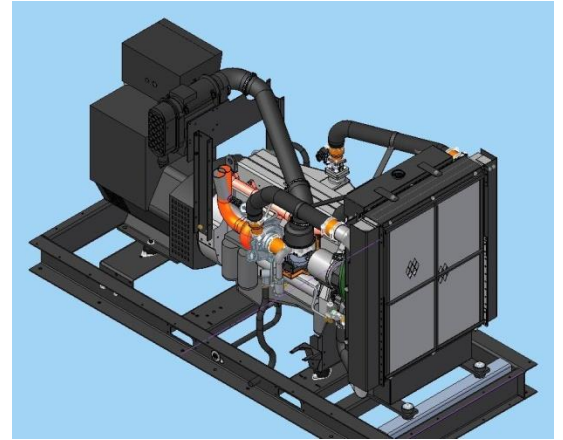


Application Data

Specification	Alternator
Manufacturer	Cummins Stamford
Model	UCI274
Power Rating	150kW
Temperature rise	105°C
Type	4-pole, Rotating-Field
Exciter type	Brushless Permanent Magnet
Leads: quantity, type	12, Re-connectable
Insulation:	NEMA MG1
Material	Class H
Temperature rise	130°C Prime
Bearing: quantity, type	Single, Sealed
Coupling	Flexible Disc
Amortisseur windings	Full
Voltage Regulation, no-load to full-load	Controller Dependent
Peak motor starting kVA:	

Specifications	Engine
Manufacturer	SRC
Engine Model	466TA Gen2
Engine Type	7.6L, 4-cycle Turbocharged Aftercooled
Cylinder arrangement	6, Inline
Displacement, L (cu in)	7.60L (466)
Bore and stroke, mm (in)	109.2 x 135.8 (4.30 x 5.35)
Compression ratio	8.5:1
Piston speed m/min (ft/min)	8.1 (1596.0)
Main bearings: quantity, type	7, precision half shell
Rated RPM	1800
Max. power at rated rpm,	
kWm (BPH)	200(145)
Cylinder head material	Cast Iron
Crankshaft material	Nodular Iron
Valve Treatment	Cryogenically treated
Valve seat material	M2 Steel
Coolant flow L/min (Gal/min)	189 (50)
Governor: type	Electronic
Frequency regulation, no-load to full-load	±0.5%
Frequency	Fixed
Air Cleaner type	Dry

Specifications	Exhaust
Exhaust manifold type	Dry
Maximum allowable back pressure	
kPa (in Hg)	6.7 (27.0)
Engine exhaust outlet size	
mm (in)	76.2 (3.0)
Exhaust temperature max °C (°F)	<621.1 (<1150)



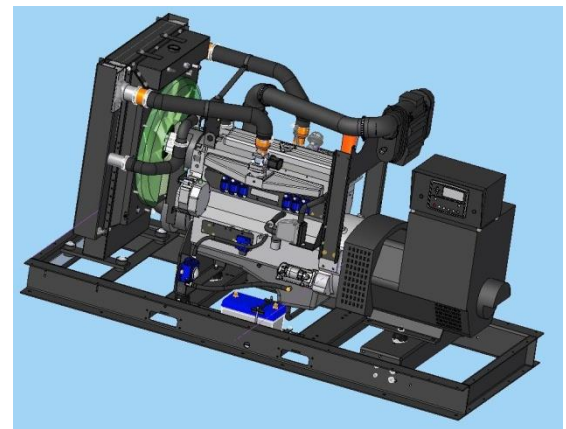
Specifications	Engine Fuel
Fuel System	Rich Burn
Fuel Type	Natural Gas
Fuel supply inlet	2.0 NPTF
Fuel supply pressure kPa (in H ₂ O)	0.87 - 1.37 (3.5 - 5.5)

Fuel supply pressure is measured at the fuel mixer downstream of any fuel system equipment. Contact SRC Power Systems for details using non-pipeline

Specifications	Lubrication System
Oil grade SAE	15W-40
Oil sulfated ash content %	0.15 min / 0.85 max
Oil pan capacity L (qt)	19.8 (21.0)
Oil pan capacity w/filter L (qt)	23.6 (25.0)
Oil filter: quantity, type	2, Cartridge
Oil cooler	Water Cooled

Specifications	Engine Electrical
Battery charging alternator:	
Ground	Negative
Volts: DC	12
Current Rating: Amps	100
Start motor rating: DC volts	12
Power rating kW	7.5
Battery: cold cranking amps (CCA)	1150
Battery voltage (DC)	12

Specifications	Fuel Composition Limits
Methane, % by volume	90 min
Ethane, % by volume	4.0 max
Propane, % by volume	1.0 max
Propene, % by volume	0.1 max
C ₄ and higher, % by volume	0.3 max
Sulfur, ppm mass	25 max
Lower heating value	
MJ/m ³ (BTU/ft ³) minimum	33.2 (890)

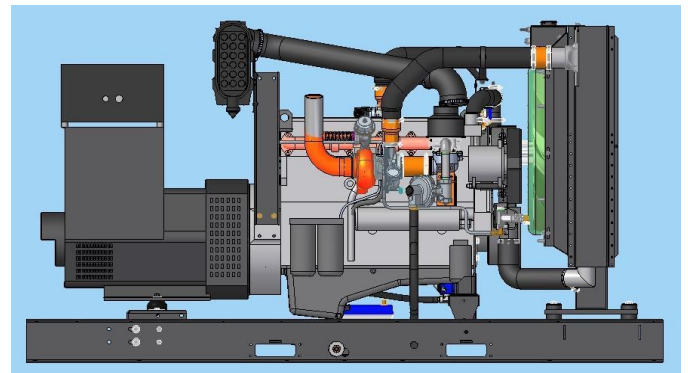


Controller Highlights

- Easy access diagnostic page
- Engine exerciser
- kW & kV Ar overload protection
- LED and LCD alarm indication
- Power monitoring
- Unbalanced load protection
- Real-time clock provides accurate event logging
- Configurable timers and alarms
- 3 configurable maintenance alarms
- Multiple date and time scheduler
- Configurable event log (250)

466TA Standard Features:

- Heavy gauge skid base with fork-lift pockets
- Heavy-duty cooling pack
- Single-fuel propane or natural gas
- Battery Tray
- SAE 2 bell-housing with adapter
- 10" Donaldson air cleaner
- Air cleaner restriction indicator
- 100 A DC alternator
- 1150 CCA battery with cables
- Impco fuel system
- Remote oil drain
- Gas lock off valve
- Gas regulator



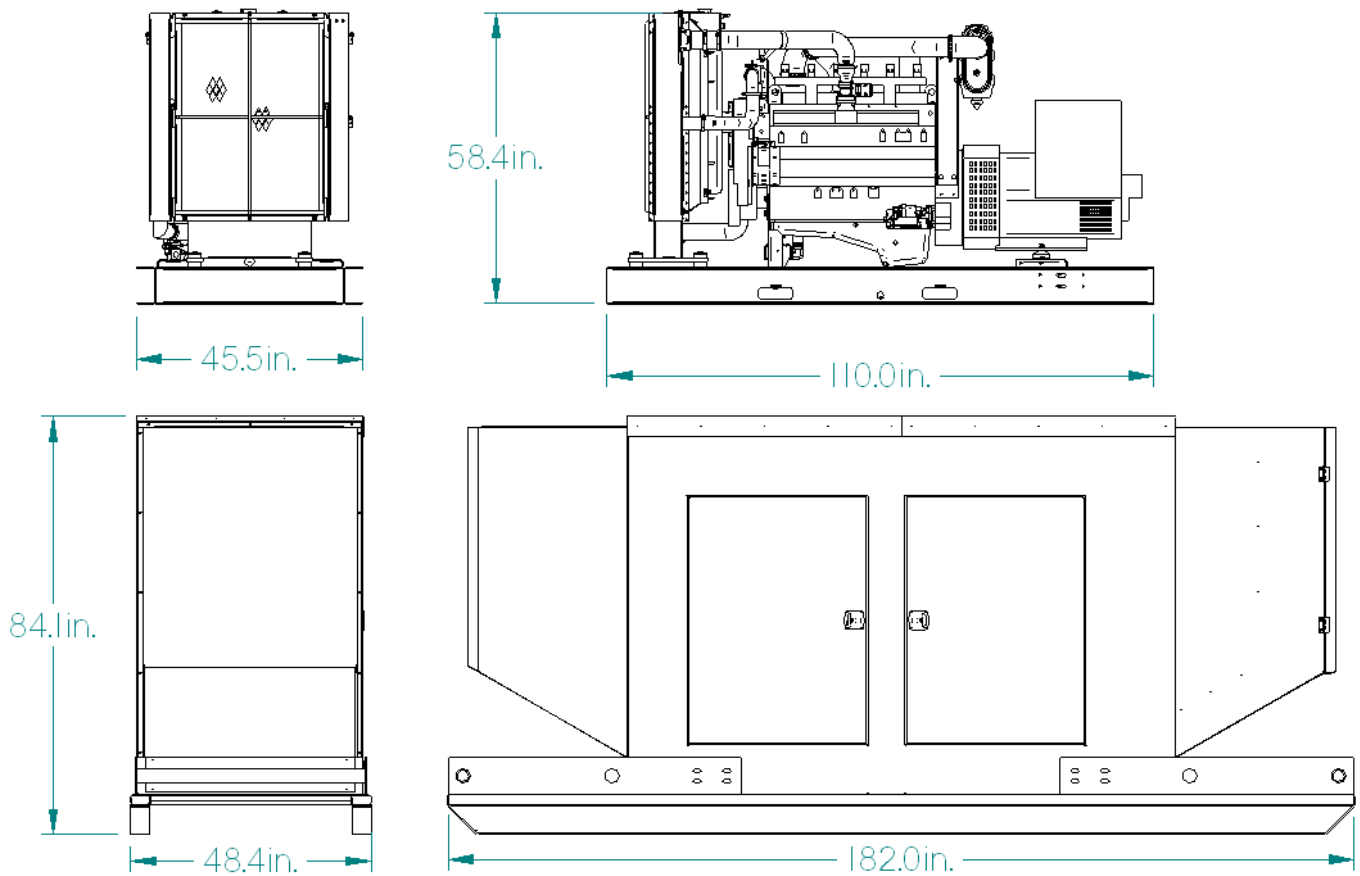
466TA Optional Features

- Dual-fuel propane and natural gas
- Battery box
- Low oil level shutdown
- Low coolant level shutdown
- Digital control panel
- EPA emission compliant fuel and exhaust system
- Exhaust muffler
- Weather enclosure (required for EPA emission compliant system)
- Sound attenuated enclosure
- Battery charger 110VAC
- Block heater 110VAC
- Radiator louvers (heat actuated)
- Electrical circuit breaker
- LP vaporizer
- Battery disconnect switch
- Oil field skid

Dimensions

Length	182.0in (4623mm)
Width	48.4in (1229mm)
Height	84.1in (2136mm)

Estimated Weight: 6500 lbs



TEL: 417.885.8080

FAX: 417.885.0095

Toll Free: 1.800.531.7134

4727 East Kearney; Springfield, MO 65803

www.srcpowersystems.com